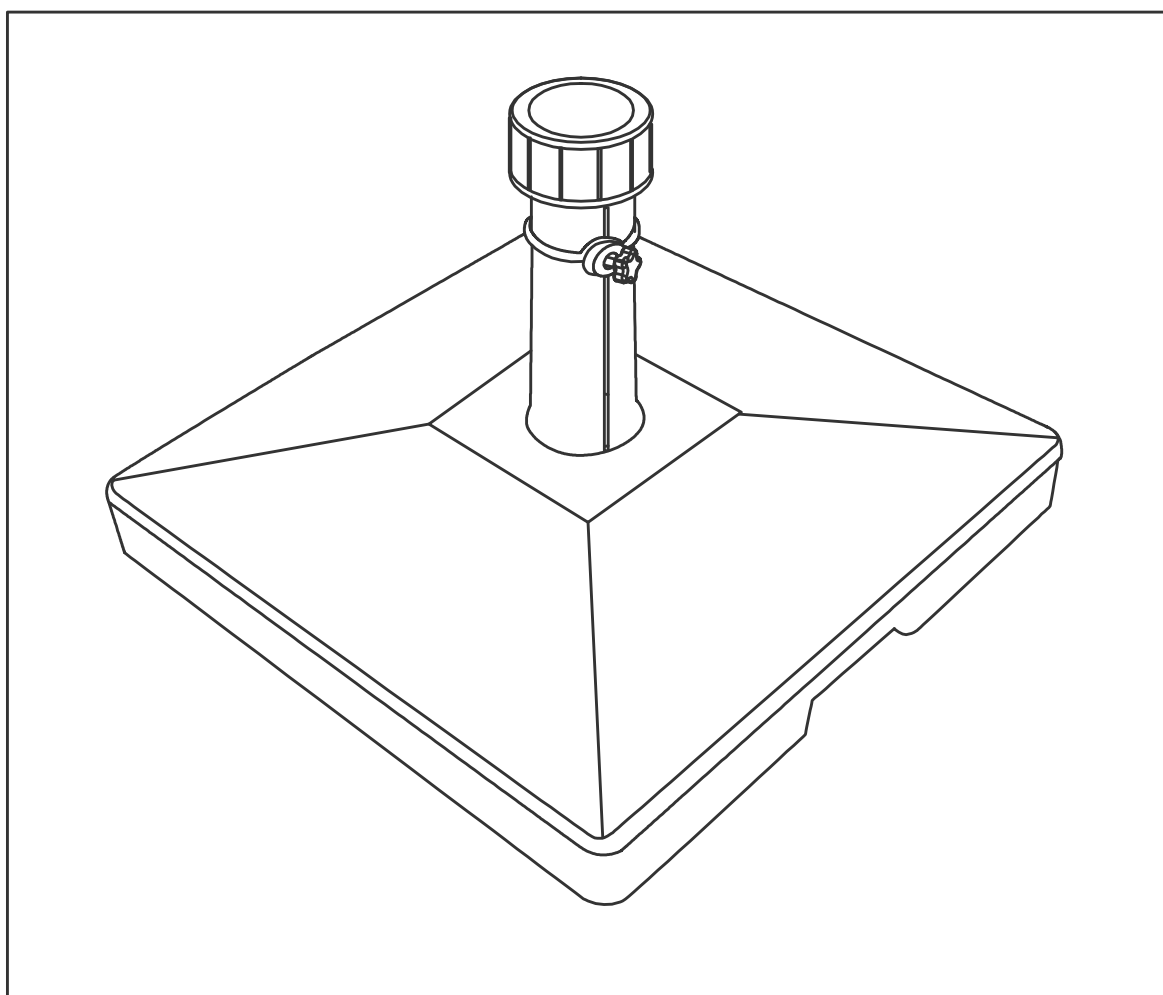




ASSEMBLY INSTRUCTION  
SHADE MASTER MK2 SQUARE UMBRELLA BASE

ITEM CODE - 73060

Imported by Amart Furniture Pty Ltd, Qld, Brisbane Australia .  
For any assistance with assembly or for missing parts please phone  
Amart Furniture , Customer Service Freecall 1800 351 084


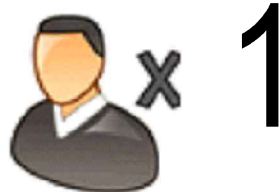


Imported by Amart Furniture Pty Ltd, Qld, Brisbane Australia .  
For any assistance with assembly or for missing parts please phone  
Amart Furniture, Customer Service Freecall 1800 351 084

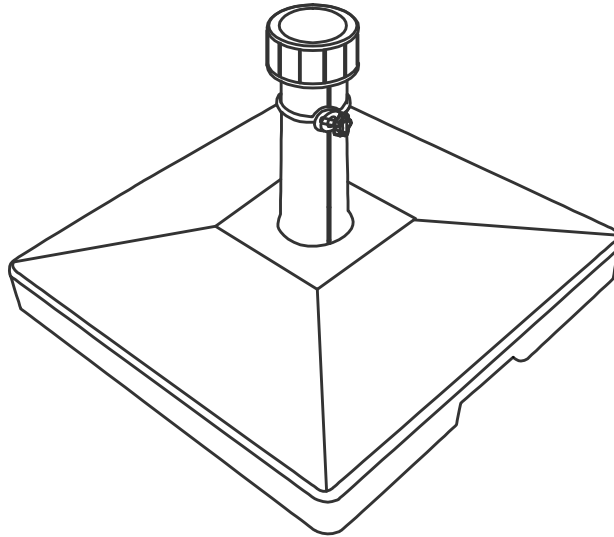
## PRE-ASSEMBLY PREPARATION

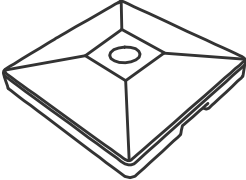
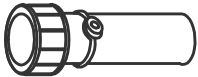


### Before you start:

1. Choose a clean, level, spacious assembly area. Avoid hard surfaces that may damage the product.
2. Take care when lifting. Product should be assembled as near as possible to the point of use.
3. Ensure that you have all required contents for complete assembly.
4. Always read the assembly instructions carefully before beginning assembly.
5. Keep all hardware parts and packaging out of reach of small children.
6. Do not over tighten the screws and bolts as this may damage the threads.

	
ALLOW 10 MINUTES	PEOPLE REQUIRED
ADDITIONAL TOOLS REQUIRED	





# PARTS LIST



1. Base  1PC	2. Support pole  1PC
3. Adjustable part  1PC	4. Plastic lining  1PC

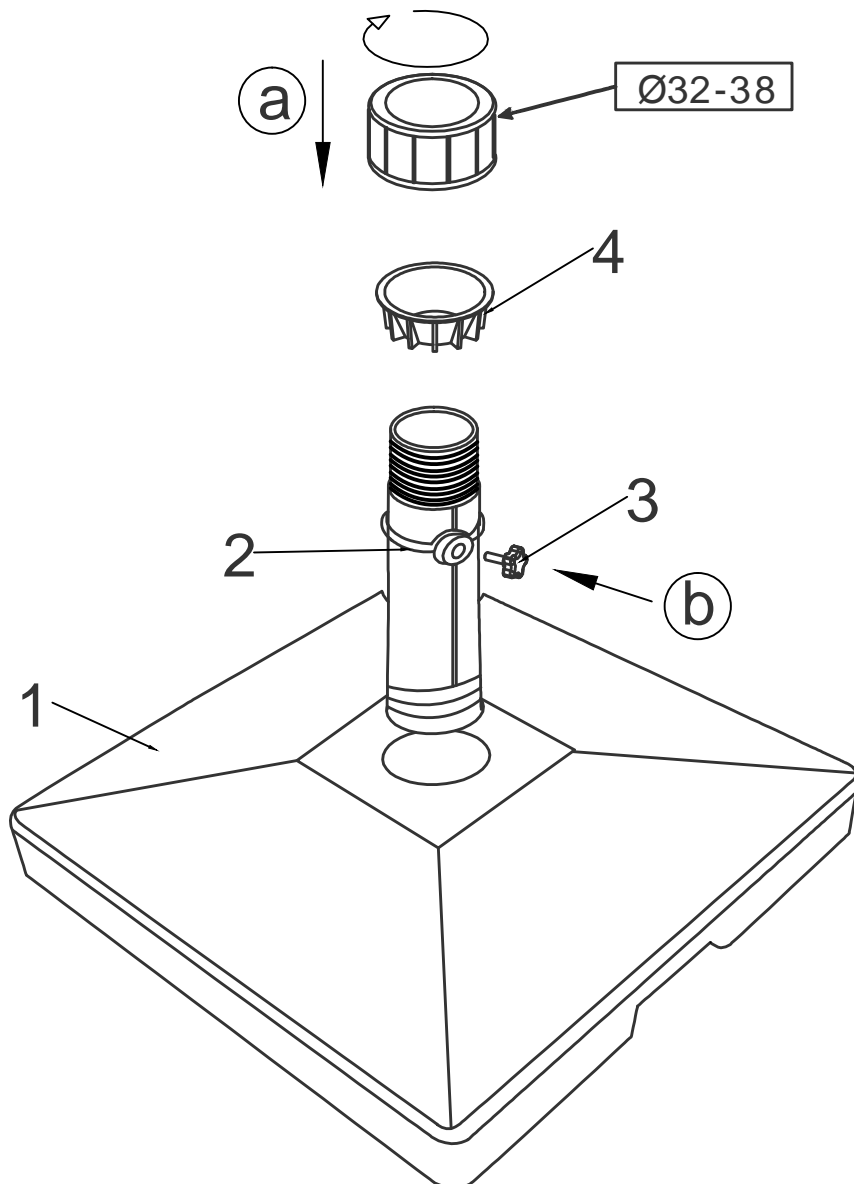
# Step 1:

## ITEMS REQUIRED

1. Base 1PC	2. Support pole 1PC	3. Adjustable part 1PC	4. Adjustable part 1PC
			




## NOTES:

- The plastic lining (4) is suit for umbrella that its pole diameter is between D32 to D38.
- Please take out plastic lining (4) if your umbrella`s pole is bigger than D38.

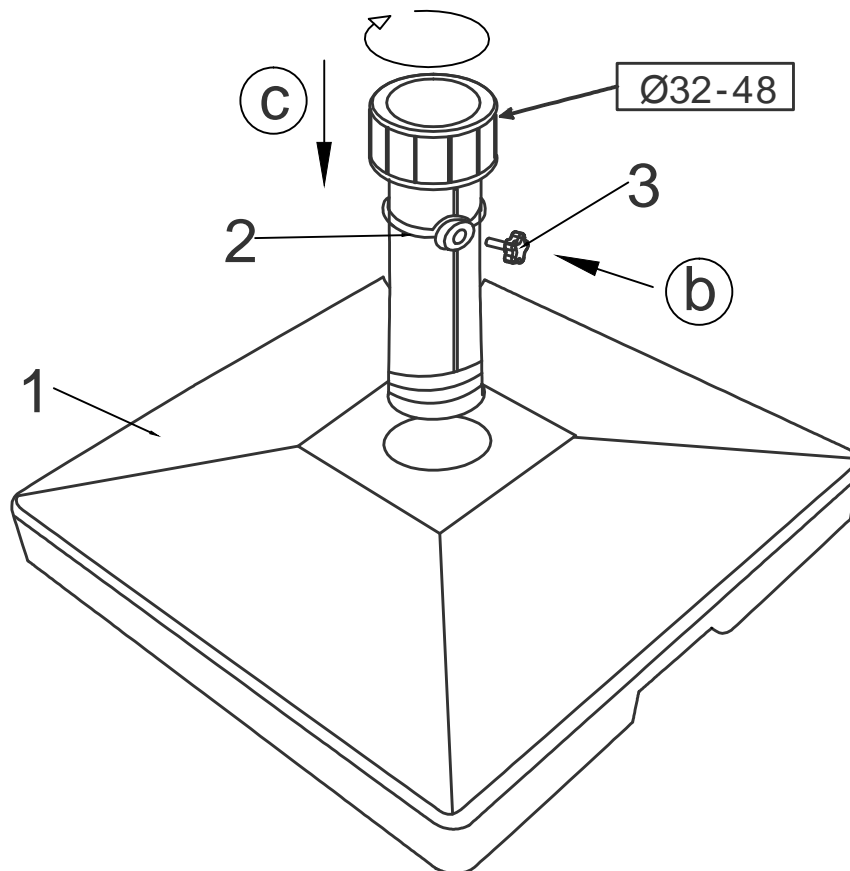


# Step 1-1:

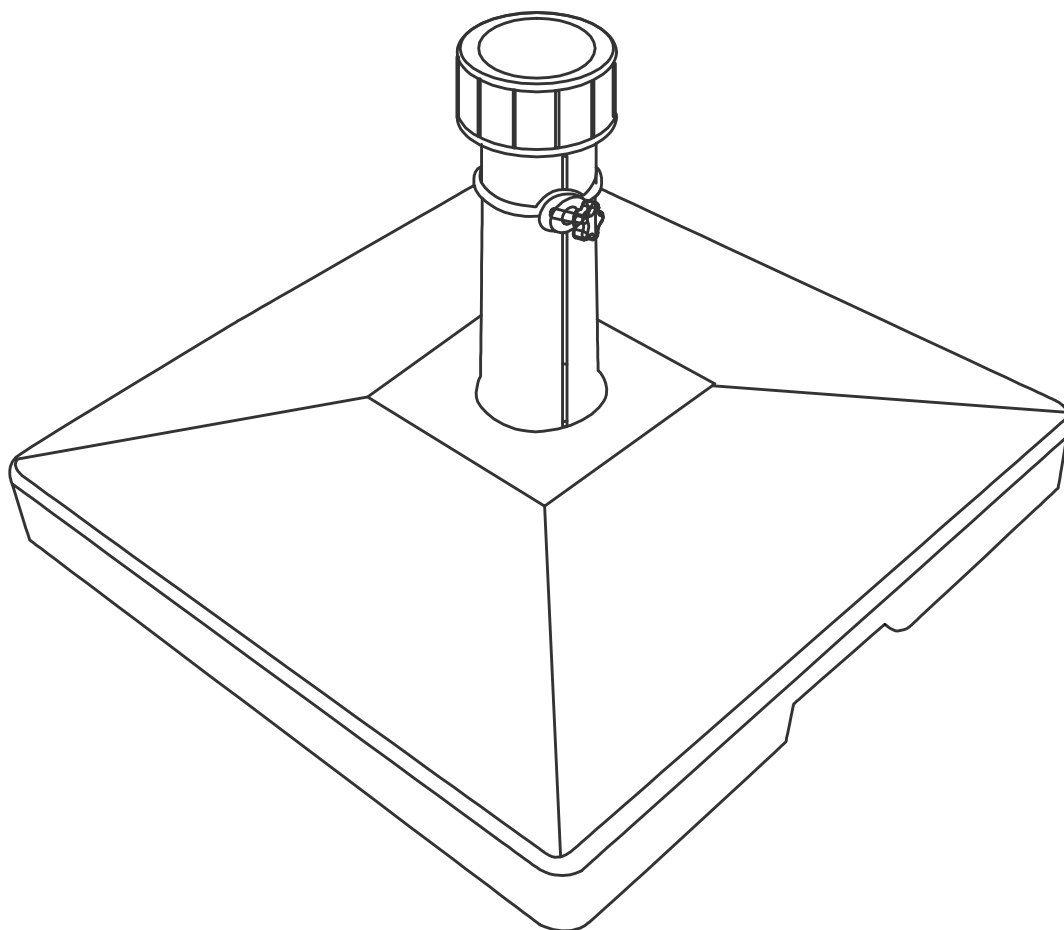
## ITEMS REQUIRED

1. Base 1PC	2. Support pole 1PC	3. Adjustable part 1PC
		

- Clockwise rotate the support pole (2) into base (1).
- Do not tighten the cap of support pole before inserting your umbrella.
- Insert umbrella through the hole.
- Tighten the top cap and rotate the adjustable screw(3) clockwise until your umbrella is stable



**ASSEMBLY IS COMPLETE**



# Care and maintenance



## Safety

- ☒ Umbrellas are not permanent shade structure.
- ☒ Completely close and store in a dry place when not in use.
- ☒ Using this umbrella in strong winds can cause damage to the Umbrella, property and may also be a danger to people.
- ☒ Domestic free standing umbrellas are not recommended for exposed environments such as high balconies or roof tops.

## Wind

- ☒ Excessive wind puts great stress on the frame, so please fully collapse this Umbrella in highwind conditions and when not in use.

## Fabric:

- ☒ Do not store when wet as mould can occur.
- ☒ Do not allow sunscreen, sun tan oil or insect repellent to come into contact with the fabric as staining may occur.
- ☒ Avoid placing the Umbrella in areas where trees and plants can drip sap onto the fabric.

## Cleaning:

- ☒ Spills and dirt should be removed immediately to avoid staining.
- ☒ Blot spills with a clean, dry cloth and avoid rubbing.
- ☒ Dust can be removed simply vacuuming or brushing with a soft brush.
- ☒ Spot wash individual dirt/stains with lukewarm mild soapy water with a soft bristled brush.
- ☒ Be sure to rinse thoroughly with fresh water and leave umbrella open to fully dry.
- ☒ Do not clean in direct sunlight.
- ☒ Do not use harsh cleaning products or pine oil cleaners.
- ☒ For persistent stains, consult a professional cleaner.

## Frame/Base

- ☒ Wipe clean with a soft cloth or soft bristled brush.
- ☒ For dirt/grime, use a mild soapy water with soft cloth.

## Storage:

- ☒ When not in use, close the umbrella and store in a dry place.
- ☒ Use an umbrella cover where possible.